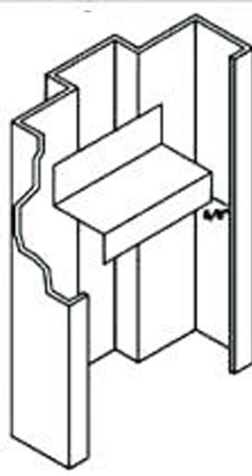


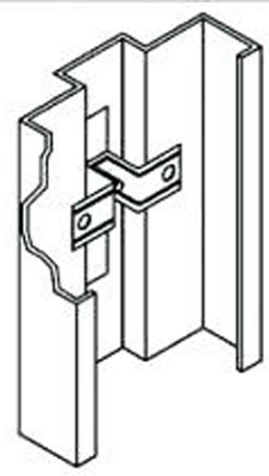
(A)

MP(MULTU-PURPOSE) ANCHOR



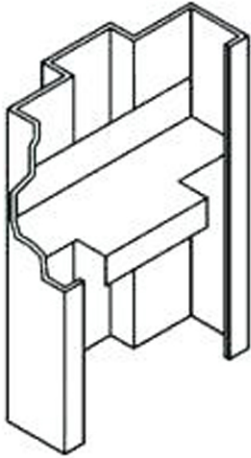
(B)

METAL CHANNEL STUD



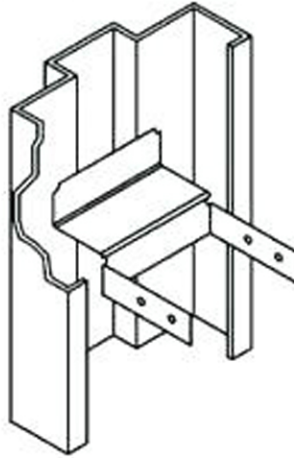
(C)

DRYWALL COMPRESSION ANCHOR



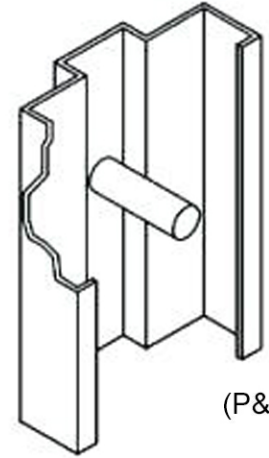
(D)

NOTE: ANCHOR IS FLUSH WITH RETURN



(E)

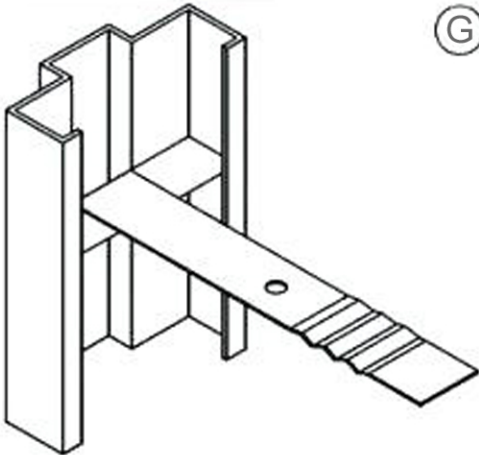
WOOD STUD



(F)

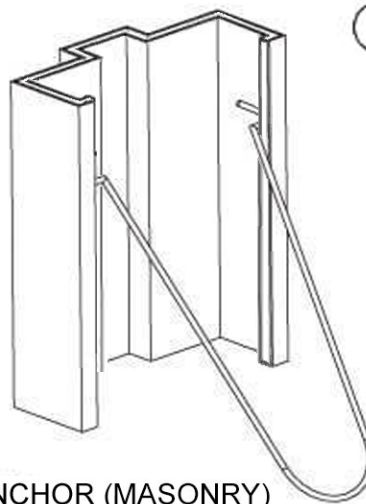
(P&D-PIPE)

PUNCH & DIMPLE WITH PIPE SLEEVE



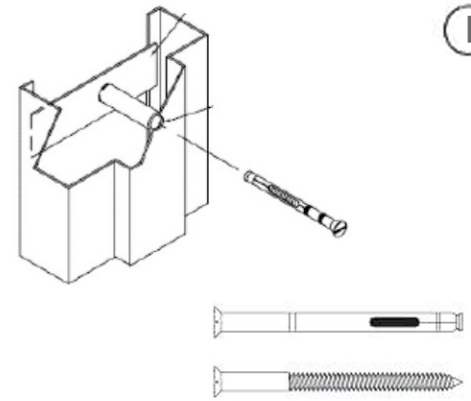
(G)

T-STRAP (MASONRY)



(H)

WIRE ANCHOR (MASONRY)



(I)

OBVERSE OF P&D AND BOLTS

Ph: (713) 462-4551

Fax: (713) 462-3667



4110 Blalock Rd. Houston, TX. 77080